

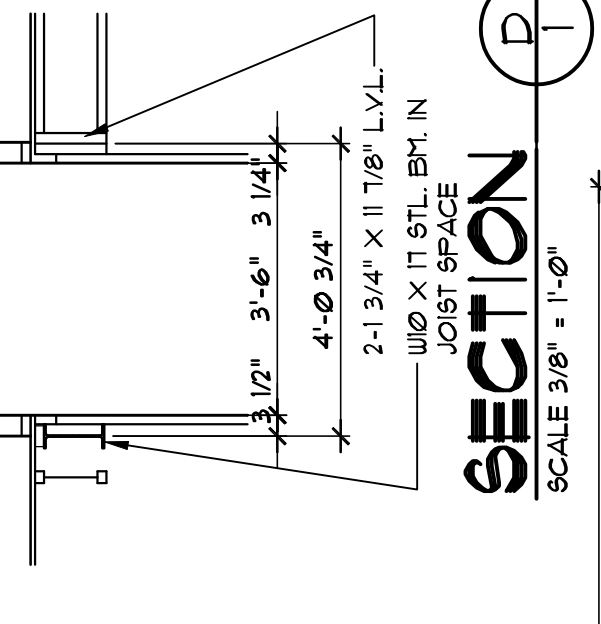
**GENERAL NOTES**

- FOUNDATION:** ALL FOUNDATIONS SHALL BE CONFORMANT WITH THE 2009 MICHIGAN RESIDENTIAL CODE AND ALL LOCAL ORDINANCES. ALL FOUNDATIONS SHALL BE FOUNDED ON A MINIMUM OF 12" BELOW FINISH GRADE. ALL FOUNDATIONS SHALL BE PROTECTED FROM FREEZING AND FLOODING BY A MINIMUM OF 6" BELOW FINISH GRADE. ALL FOUNDATIONS SHALL BE PROTECTED FROM FLOODING BY A MINIMUM OF 6" BELOW FINISH GRADE. ALL FOUNDATIONS SHALL BE PROTECTED FROM FLOODING BY A MINIMUM OF 6" BELOW FINISH GRADE. ALL FOUNDATIONS SHALL BE PROTECTED FROM FLOODING BY A MINIMUM OF 6" BELOW FINISH GRADE.
- ALL FOUNDATIONS SHALL BE PROTECTED FROM FREEZING AND FLOODING BY A MINIMUM OF 6" BELOW FINISH GRADE. ALL FOUNDATIONS SHALL BE PROTECTED FROM FLOODING BY A MINIMUM OF 6" BELOW FINISH GRADE. ALL FOUNDATIONS SHALL BE PROTECTED FROM FLOODING BY A MINIMUM OF 6" BELOW FINISH GRADE. ALL FOUNDATIONS SHALL BE PROTECTED FROM FLOODING BY A MINIMUM OF 6" BELOW FINISH GRADE.
- ALL FOUNDATIONS SHALL BE PROTECTED FROM FREEZING AND FLOODING BY A MINIMUM OF 6" BELOW FINISH GRADE. ALL FOUNDATIONS SHALL BE PROTECTED FROM FLOODING BY A MINIMUM OF 6" BELOW FINISH GRADE. ALL FOUNDATIONS SHALL BE PROTECTED FROM FLOODING BY A MINIMUM OF 6" BELOW FINISH GRADE. ALL FOUNDATIONS SHALL BE PROTECTED FROM FLOODING BY A MINIMUM OF 6" BELOW FINISH GRADE.
- ALL FOUNDATIONS SHALL BE PROTECTED FROM FREEZING AND FLOODING BY A MINIMUM OF 6" BELOW FINISH GRADE. ALL FOUNDATIONS SHALL BE PROTECTED FROM FLOODING BY A MINIMUM OF 6" BELOW FINISH GRADE. ALL FOUNDATIONS SHALL BE PROTECTED FROM FLOODING BY A MINIMUM OF 6" BELOW FINISH GRADE. ALL FOUNDATIONS SHALL BE PROTECTED FROM FLOODING BY A MINIMUM OF 6" BELOW FINISH GRADE.
- ALL FOUNDATIONS SHALL BE PROTECTED FROM FREEZING AND FLOODING BY A MINIMUM OF 6" BELOW FINISH GRADE. ALL FOUNDATIONS SHALL BE PROTECTED FROM FLOODING BY A MINIMUM OF 6" BELOW FINISH GRADE. ALL FOUNDATIONS SHALL BE PROTECTED FROM FLOODING BY A MINIMUM OF 6" BELOW FINISH GRADE. ALL FOUNDATIONS SHALL BE PROTECTED FROM FLOODING BY A MINIMUM OF 6" BELOW FINISH GRADE.

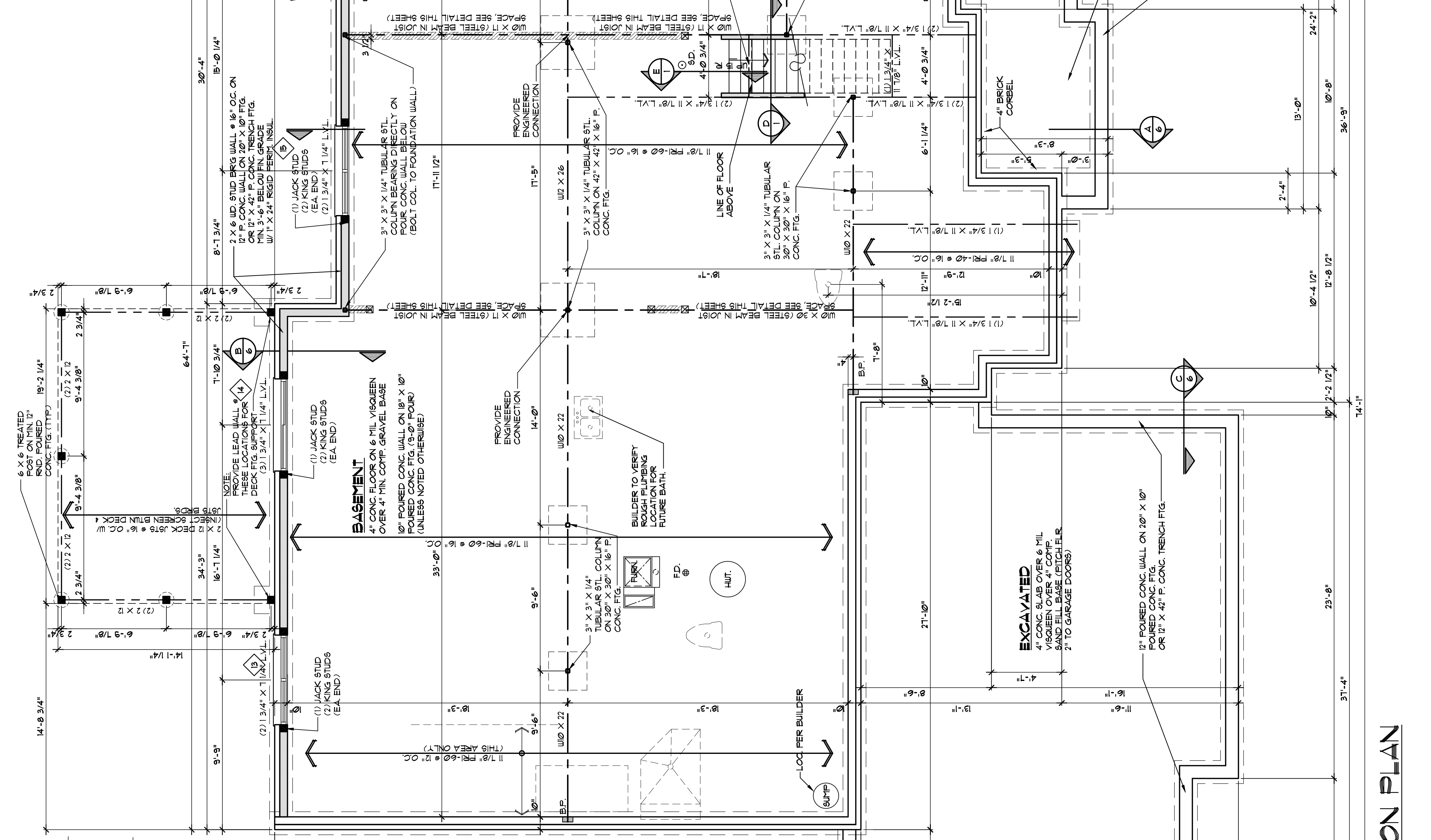
© Copyright 2012 TR-Design Group, LLC.  
 All rights reserved. This drawing is the property of TR-Design Group, LLC. No part of this drawing may be reproduced, stored in a retrieval system, or transmitted in any form or by any means, electronic, mechanical, photocopying, recording, or by any information storage and retrieval system, without the prior written permission of TR-Design Group, LLC.

**GENERAL PLAN NOTES**

- ALL DIMENSIONS AND ELEVATIONS ARE IN FEET AND INCHES UNLESS NOTED OTHERWISE. DIMENSIONS ARE TO FACE UNLESS NOTED OTHERWISE.
- ALL FOUNDATIONS SHALL BE CONFORMANT WITH THE 2009 MICHIGAN RESIDENTIAL CODE AND ALL LOCAL ORDINANCES.
- ALL FOUNDATIONS SHALL BE PROTECTED FROM FREEZING AND FLOODING BY A MINIMUM OF 6" BELOW FINISH GRADE.
- ALL FOUNDATIONS SHALL BE PROTECTED FROM FREEZING AND FLOODING BY A MINIMUM OF 6" BELOW FINISH GRADE.
- ALL FOUNDATIONS SHALL BE PROTECTED FROM FREEZING AND FLOODING BY A MINIMUM OF 6" BELOW FINISH GRADE.



**BULK HEAD DETAIL @ STAIR**  
 SCALE 1/4" = 1'-0"



**Window Schedule**

Window Number	Unit Description	Unit Location	Unit Height
13	6092-60" X 8'-0"	REAR PORCH	8'-0"
14	6092-60" X 8'-0"	REAR PORCH	8'-0"
15	6092-60" X 8'-0"	REAR PORCH	8'-0"
16	6092-60" X 8'-0"	REAR PORCH	8'-0"

**Main Street HOME S**

**TR DESIGN GROUP**

6001 Adams Road, Suite 202  
 Bloomfield Hills, MI 48304  
 248-792-3380 Fax  
 www.TR-DesignGroup.com

MAINSTREET HOMES  
 PRESERVE  
 LOT #6

Review Set: 11-09-12  
 Permit: 11-19-12  
 Final Set: 12-07-12  
 Revisions: 4-15-13

KITCHEN SKYLIGHT 5-0713

Drawn: T.J.  
 Check: MD.G.  
 Job No. 12312

Sheet No. 1 OF 6

TR-DESIGN GROUP  
 RESIDENTIAL DESIGN GROUP

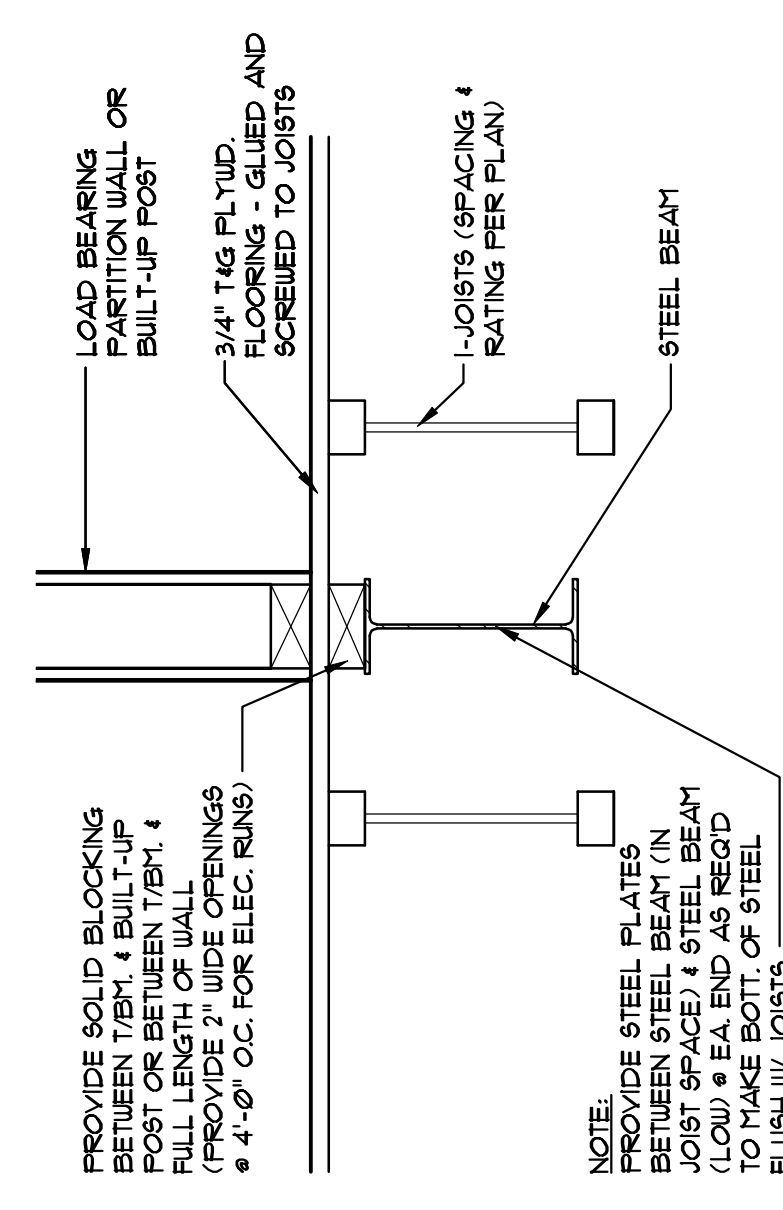
**NOTE:**  
 SEE STRUCTURAL SHEETS FOR ADDITIONAL NOTES AND DETAILS.

**LEGEND:**

- POINT LOAD
- LOAD BEARING WALLS
- LOAD BEARING WALLS FROM ABOVE

**FOUNDATION PLAN**  
 SCALE: 1/4" = 1'-0"

**BEAM IN JOIST SPACE DETAIL**  
 SCALE 1/2" = 1'-0"



- NOTE:**  
 PROVIDE SOLID BLOCKING BETWEEN TRIM 4 BUILT-UP POST OR BETWEEN TRIM 4 FULL LENGTH OF WALL (PROVIDE 2" WIDE OPENINGS PROVIDE 4" O.C. FOR ELEC. RUNS)
- PROVIDE SOLID BLOCKING BETWEEN TRIM 4 BUILT-UP POST OR BETWEEN TRIM 4 FULL LENGTH OF WALL (PROVIDE 2" WIDE OPENINGS PROVIDE 4" O.C. FOR ELEC. RUNS)



**DESIGN LOADS:**

- FLOOR LIVE LOADS: 40 PSF
- DECKLOADS: 60 PSF
- ROOF DEAD LOADS: 10 PSF
- ROOF LIVE LOADS: 20 PSF
- ROOF WIND LOADS: AS PER CODE
- WALL DEAD LOADS: 10 PSF
- WALL LIVE LOADS: 20 PSF
- WIND LOADS: AS PER CODE
- SEISMOIC LOADS: AS PER CODE
- SOIL PRESSURE: AS PER CODE
- ADDITIONAL LOADS: AS PER ARCHITECT

**LUMBER NOTES:**

- ALL CONVENTIONAL FRAMED FLOOR DECKS SHALL BE 2" X 8" OR 2" X 10" LUMBER.
- ALL JOIST SPACING SHALL BE 16" ON CENTER UNLESS OTHERWISE NOTED.
- ALL JOIST SPACING SHALL BE 16" ON CENTER UNLESS OTHERWISE NOTED.
- ALL JOIST SPACING SHALL BE 16" ON CENTER UNLESS OTHERWISE NOTED.
- ALL JOIST SPACING SHALL BE 16" ON CENTER UNLESS OTHERWISE NOTED.
- ALL JOIST SPACING SHALL BE 16" ON CENTER UNLESS OTHERWISE NOTED.
- ALL JOIST SPACING SHALL BE 16" ON CENTER UNLESS OTHERWISE NOTED.
- ALL JOIST SPACING SHALL BE 16" ON CENTER UNLESS OTHERWISE NOTED.
- ALL JOIST SPACING SHALL BE 16" ON CENTER UNLESS OTHERWISE NOTED.
- ALL JOIST SPACING SHALL BE 16" ON CENTER UNLESS OTHERWISE NOTED.
- ALL JOIST SPACING SHALL BE 16" ON CENTER UNLESS OTHERWISE NOTED.
- ALL JOIST SPACING SHALL BE 16" ON CENTER UNLESS OTHERWISE NOTED.
- ALL JOIST SPACING SHALL BE 16" ON CENTER UNLESS OTHERWISE NOTED.
- ALL JOIST SPACING SHALL BE 16" ON CENTER UNLESS OTHERWISE NOTED.
- ALL JOIST SPACING SHALL BE 16" ON CENTER UNLESS OTHERWISE NOTED.

**FRAMING:**

- ALL WALLS SHALL BE CONSTRUCTED IN ACCORDANCE WITH THE AMERICAN WOOD ASSOCIATION (AWA) AND ENGINEERED WOOD ASSOCIATION (EWA) PERFORMANCE RATED JOIST STANDARDS REFERENCE TABLE 4 FOR ALL JOIST CONNECTIONS DESIGN VALUES AND PREPARED AS RELATED TO THE JOIST MANUFACTURER'S WEBSITE FOR CONNECTIONS, INTERSECTIONS, AND CONNECTIONS WITH OTHER JOISTS.
- ALL JOIST CONNECTIONS SHALL BE MADE IN ACCORDANCE WITH THE AMERICAN WOOD ASSOCIATION (AWA) AND ENGINEERED WOOD ASSOCIATION (EWA) PERFORMANCE RATED JOIST STANDARDS REFERENCE TABLE 4 FOR ALL JOIST CONNECTIONS DESIGN VALUES AND PREPARED AS RELATED TO THE JOIST MANUFACTURER'S WEBSITE FOR CONNECTIONS, INTERSECTIONS, AND CONNECTIONS WITH OTHER JOISTS.
- ALL JOIST CONNECTIONS SHALL BE MADE IN ACCORDANCE WITH THE AMERICAN WOOD ASSOCIATION (AWA) AND ENGINEERED WOOD ASSOCIATION (EWA) PERFORMANCE RATED JOIST STANDARDS REFERENCE TABLE 4 FOR ALL JOIST CONNECTIONS DESIGN VALUES AND PREPARED AS RELATED TO THE JOIST MANUFACTURER'S WEBSITE FOR CONNECTIONS, INTERSECTIONS, AND CONNECTIONS WITH OTHER JOISTS.

**WALLS:**

- ALL EXTERIOR WALLS SHALL BE CONSTRUCTED IN ACCORDANCE WITH THE AMERICAN WOOD ASSOCIATION (AWA) AND ENGINEERED WOOD ASSOCIATION (EWA) PERFORMANCE RATED JOIST STANDARDS REFERENCE TABLE 4 FOR ALL JOIST CONNECTIONS DESIGN VALUES AND PREPARED AS RELATED TO THE JOIST MANUFACTURER'S WEBSITE FOR CONNECTIONS, INTERSECTIONS, AND CONNECTIONS WITH OTHER JOISTS.
- ALL EXTERIOR WALLS SHALL BE CONSTRUCTED IN ACCORDANCE WITH THE AMERICAN WOOD ASSOCIATION (AWA) AND ENGINEERED WOOD ASSOCIATION (EWA) PERFORMANCE RATED JOIST STANDARDS REFERENCE TABLE 4 FOR ALL JOIST CONNECTIONS DESIGN VALUES AND PREPARED AS RELATED TO THE JOIST MANUFACTURER'S WEBSITE FOR CONNECTIONS, INTERSECTIONS, AND CONNECTIONS WITH OTHER JOISTS.
- ALL EXTERIOR WALLS SHALL BE CONSTRUCTED IN ACCORDANCE WITH THE AMERICAN WOOD ASSOCIATION (AWA) AND ENGINEERED WOOD ASSOCIATION (EWA) PERFORMANCE RATED JOIST STANDARDS REFERENCE TABLE 4 FOR ALL JOIST CONNECTIONS DESIGN VALUES AND PREPARED AS RELATED TO THE JOIST MANUFACTURER'S WEBSITE FOR CONNECTIONS, INTERSECTIONS, AND CONNECTIONS WITH OTHER JOISTS.

**ROOFING:**

- ALL ROOFING SHALL BE CONSTRUCTED IN ACCORDANCE WITH THE AMERICAN WOOD ASSOCIATION (AWA) AND ENGINEERED WOOD ASSOCIATION (EWA) PERFORMANCE RATED JOIST STANDARDS REFERENCE TABLE 4 FOR ALL JOIST CONNECTIONS DESIGN VALUES AND PREPARED AS RELATED TO THE JOIST MANUFACTURER'S WEBSITE FOR CONNECTIONS, INTERSECTIONS, AND CONNECTIONS WITH OTHER JOISTS.
- ALL ROOFING SHALL BE CONSTRUCTED IN ACCORDANCE WITH THE AMERICAN WOOD ASSOCIATION (AWA) AND ENGINEERED WOOD ASSOCIATION (EWA) PERFORMANCE RATED JOIST STANDARDS REFERENCE TABLE 4 FOR ALL JOIST CONNECTIONS DESIGN VALUES AND PREPARED AS RELATED TO THE JOIST MANUFACTURER'S WEBSITE FOR CONNECTIONS, INTERSECTIONS, AND CONNECTIONS WITH OTHER JOISTS.
- ALL ROOFING SHALL BE CONSTRUCTED IN ACCORDANCE WITH THE AMERICAN WOOD ASSOCIATION (AWA) AND ENGINEERED WOOD ASSOCIATION (EWA) PERFORMANCE RATED JOIST STANDARDS REFERENCE TABLE 4 FOR ALL JOIST CONNECTIONS DESIGN VALUES AND PREPARED AS RELATED TO THE JOIST MANUFACTURER'S WEBSITE FOR CONNECTIONS, INTERSECTIONS, AND CONNECTIONS WITH OTHER JOISTS.

**GENERAL NOTES:**

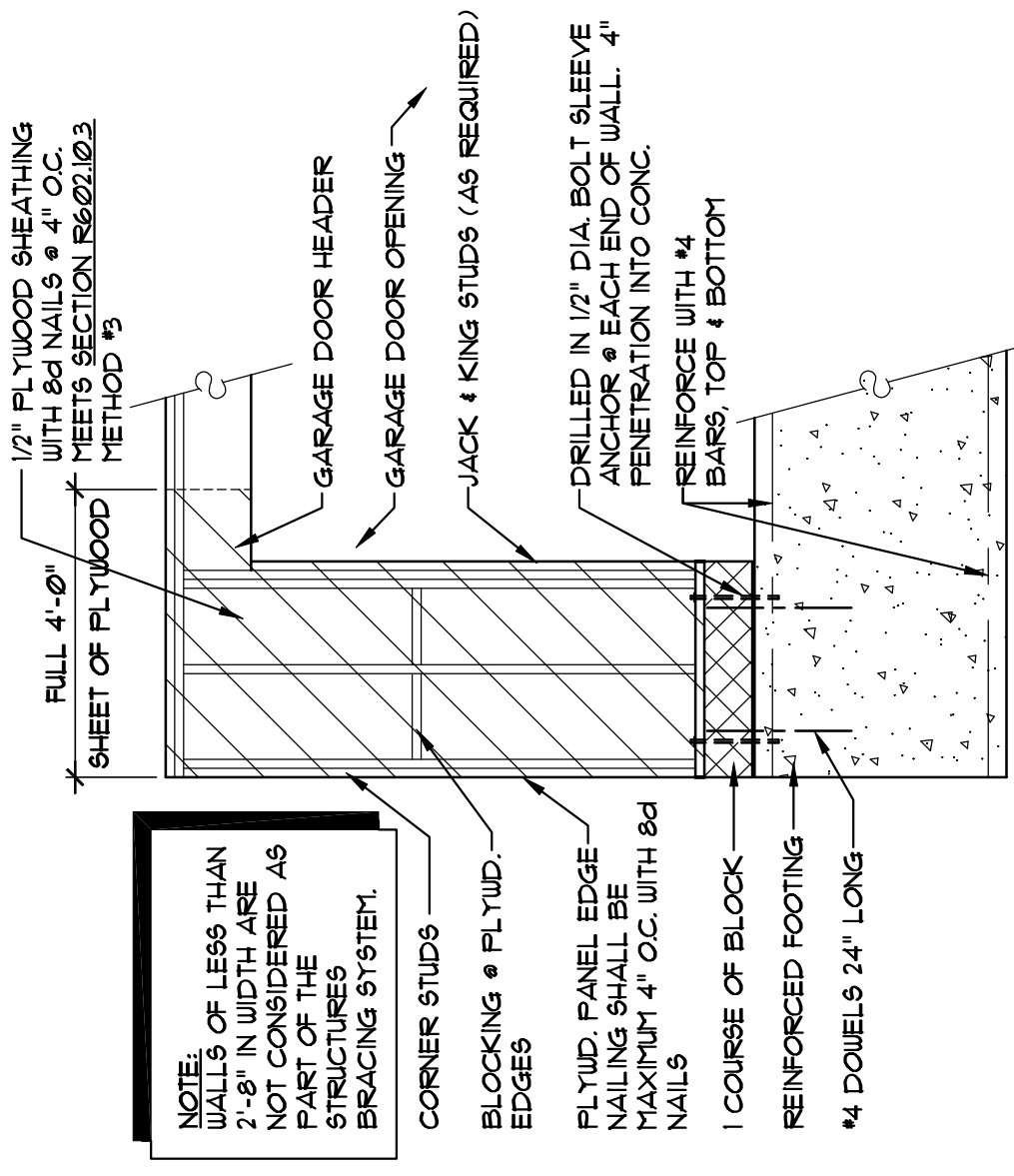
- ALL WORK SHALL BE IN ACCORDANCE WITH THE 2018 INTERNATIONAL RESIDENTIAL CODE.
- ALL WORK SHALL BE IN ACCORDANCE WITH THE 2018 INTERNATIONAL RESIDENTIAL CODE.
- ALL WORK SHALL BE IN ACCORDANCE WITH THE 2018 INTERNATIONAL RESIDENTIAL CODE.
- ALL WORK SHALL BE IN ACCORDANCE WITH THE 2018 INTERNATIONAL RESIDENTIAL CODE.
- ALL WORK SHALL BE IN ACCORDANCE WITH THE 2018 INTERNATIONAL RESIDENTIAL CODE.
- ALL WORK SHALL BE IN ACCORDANCE WITH THE 2018 INTERNATIONAL RESIDENTIAL CODE.
- ALL WORK SHALL BE IN ACCORDANCE WITH THE 2018 INTERNATIONAL RESIDENTIAL CODE.
- ALL WORK SHALL BE IN ACCORDANCE WITH THE 2018 INTERNATIONAL RESIDENTIAL CODE.
- ALL WORK SHALL BE IN ACCORDANCE WITH THE 2018 INTERNATIONAL RESIDENTIAL CODE.
- ALL WORK SHALL BE IN ACCORDANCE WITH THE 2018 INTERNATIONAL RESIDENTIAL CODE.
- ALL WORK SHALL BE IN ACCORDANCE WITH THE 2018 INTERNATIONAL RESIDENTIAL CODE.
- ALL WORK SHALL BE IN ACCORDANCE WITH THE 2018 INTERNATIONAL RESIDENTIAL CODE.
- ALL WORK SHALL BE IN ACCORDANCE WITH THE 2018 INTERNATIONAL RESIDENTIAL CODE.
- ALL WORK SHALL BE IN ACCORDANCE WITH THE 2018 INTERNATIONAL RESIDENTIAL CODE.
- ALL WORK SHALL BE IN ACCORDANCE WITH THE 2018 INTERNATIONAL RESIDENTIAL CODE.

**TABLE R1021.3.1**

SIZE OF LUMBER (INCHES) x (INCHES) x (INCHES)	NO. OF JOISTS	NO. OF STUDS	NO. OF STUDS	NO. OF STUDS	NO. OF STUDS	NO. OF STUDS	NO. OF STUDS	NO. OF STUDS	NO. OF STUDS
3" x 3" x 1/4"	6'-0"	4'-6"	3'-0"	1	1	1	1	1	1
4" x 3" x 1/4"	8'-0"	6'-0"	4'-6"	1	1	1	1	1	1
5" x 3" x 1/4"	10'-0"	8'-0"	6'-0"	1	1	1	1	1	1
6" x 3" x 1/4"	12'-0"	10'-0"	8'-0"	1	1	1	1	1	1
8" x 3" x 1/4"	16'-0"	14'-0"	12'-0"	1	1	1	1	1	1

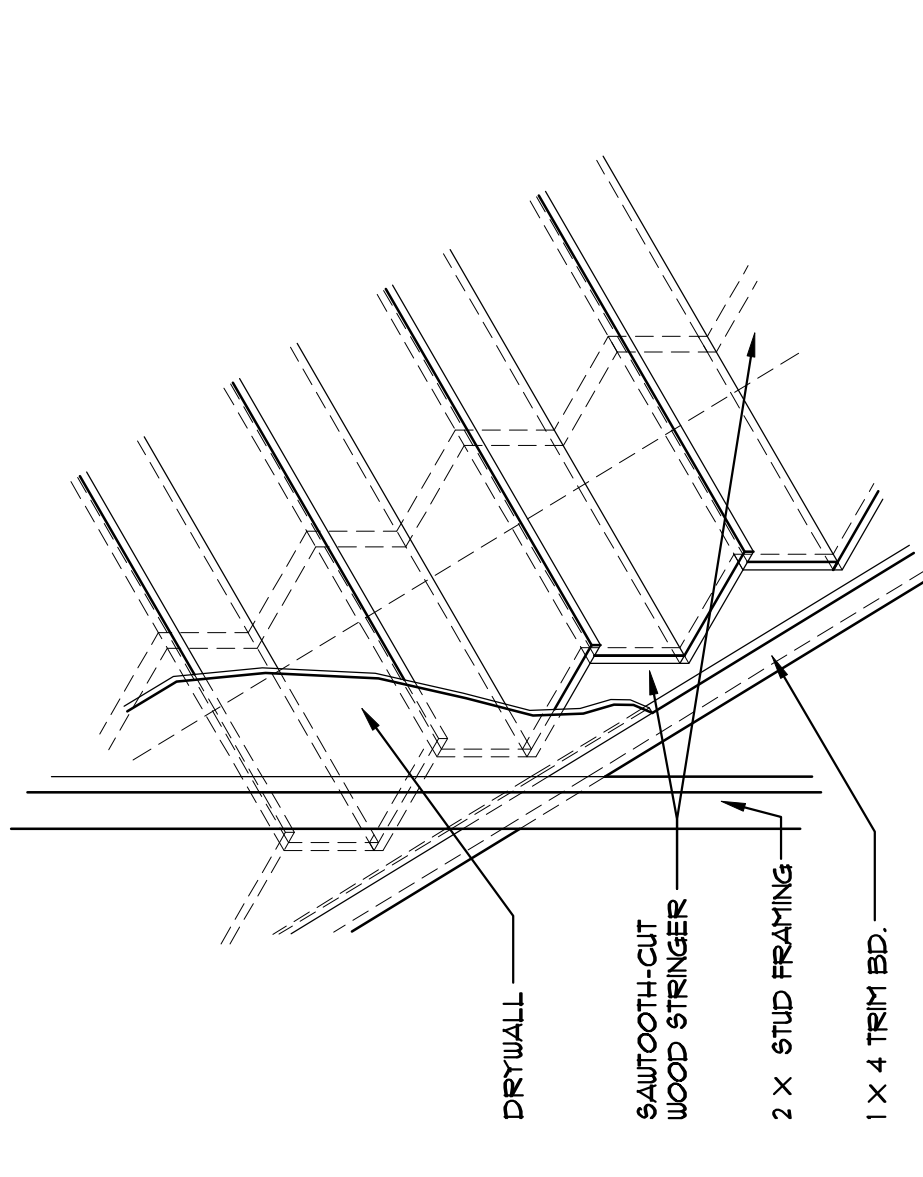
**ALLOWABLE SPANS FOR LUMBER**

- DEPTH OF REINFORCED LUMBER SHALL NOT BE LESS THAN 8" IN ALL CELLS.
- ALL REINFORCED LUMBER SHALL BE PLACED IN A VERTICAL POSITION.
- ALL REINFORCED LUMBER SHALL BE PLACED IN A VERTICAL POSITION.
- ALL REINFORCED LUMBER SHALL BE PLACED IN A VERTICAL POSITION.
- ALL REINFORCED LUMBER SHALL BE PLACED IN A VERTICAL POSITION.
- ALL REINFORCED LUMBER SHALL BE PLACED IN A VERTICAL POSITION.
- ALL REINFORCED LUMBER SHALL BE PLACED IN A VERTICAL POSITION.
- ALL REINFORCED LUMBER SHALL BE PLACED IN A VERTICAL POSITION.
- ALL REINFORCED LUMBER SHALL BE PLACED IN A VERTICAL POSITION.
- ALL REINFORCED LUMBER SHALL BE PLACED IN A VERTICAL POSITION.



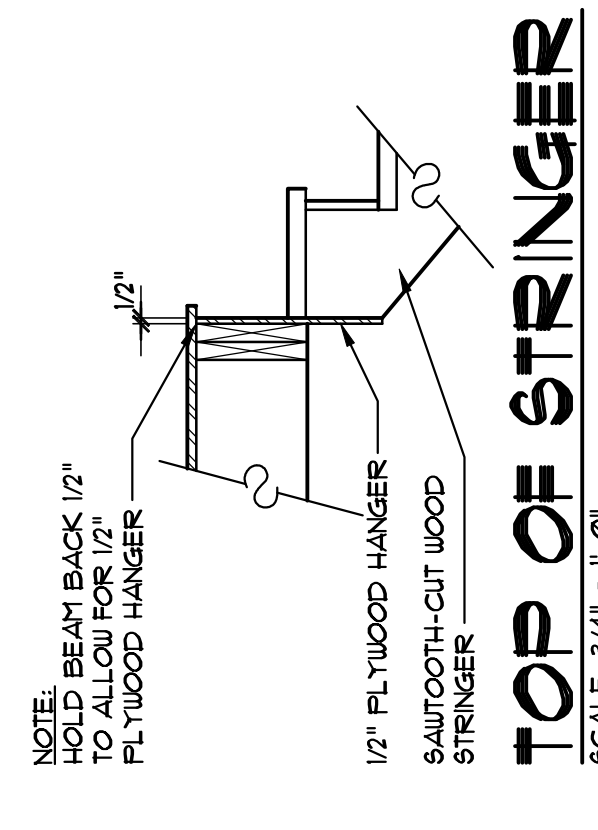
**BRACED GARAGE WALL DETAIL FOR 4'-0" TO 1'-4" WIDTH**

SCALE: 3/8" = 1'-0"



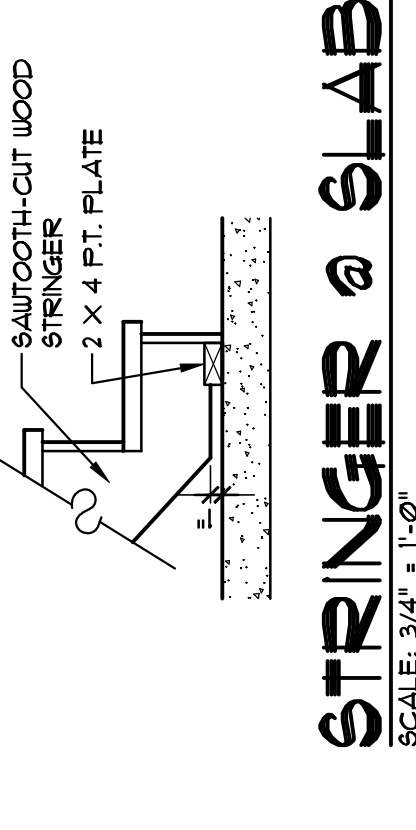
**SAWTOOTH-CUT STRINGER**

SCALE: 3/4" = 1'-0"



**TOP OF STRINGER**

SCALE: 3/4" = 1'-0"



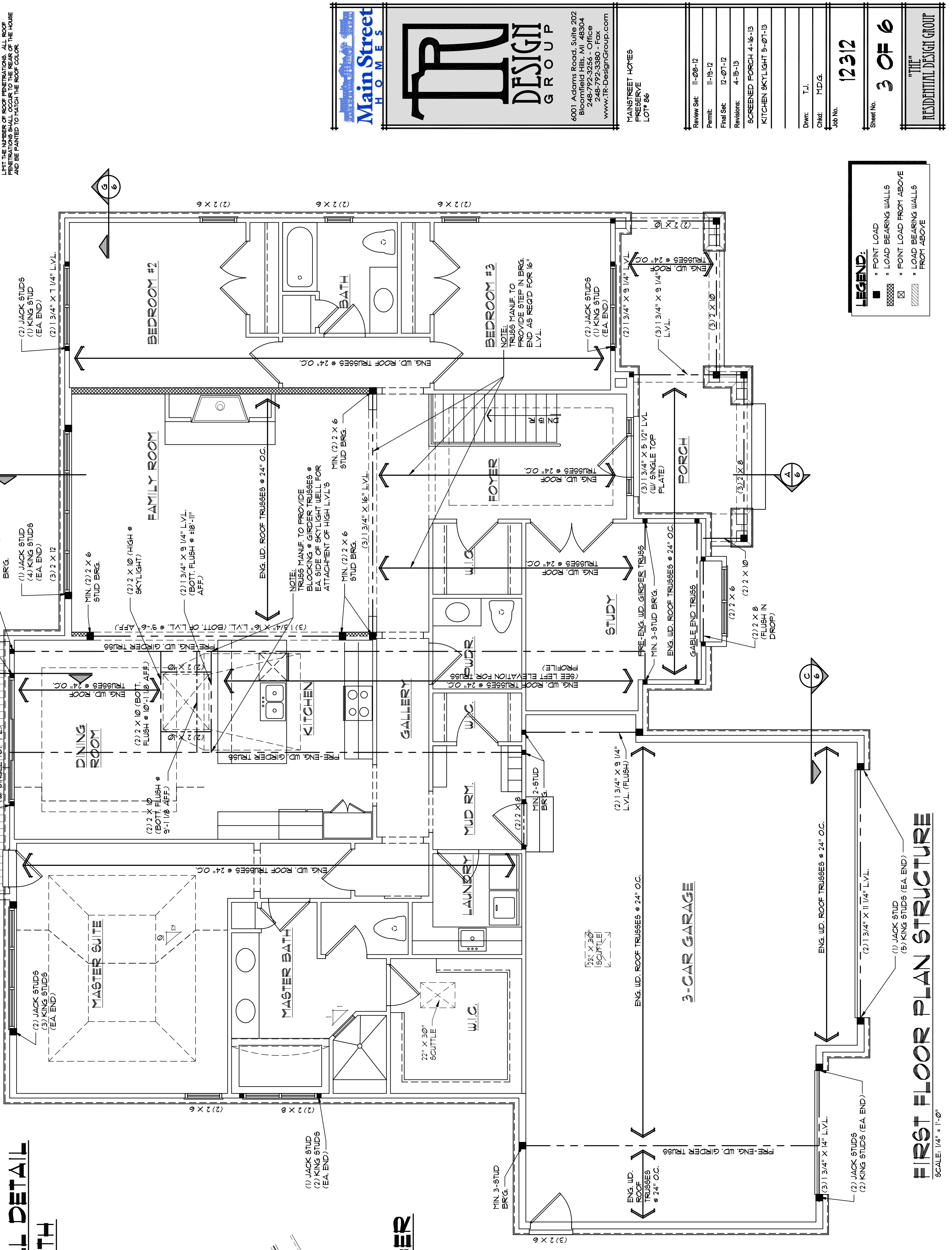
**STRINGER @ SLAB**

SCALE: 3/4" = 1'-0"

© Copyright 2012 TR-Design Group, LLC. All rights reserved. This drawing is the property of TR-Design Group, LLC. No part of this drawing may be reproduced, stored in a retrieval system, or transmitted in any form or by any means, electronic, mechanical, photocopying, recording, or by any information storage and retrieval system, without the prior written permission of TR-Design Group, LLC.

**GENERAL PLAN NOTES:**

- DO NOT SCALE DRAWINGS. USE PRINTED DIMENSIONS ONLY. IF DIMENSIONS ARE NOT SHOWN, REFER TO THE ARCHITECT'S NOTES FOR DIMENSIONS.
- TR-Design Group, LLC IS NOT RESPONSIBLE FOR THE DESIGN OF ANY STRUCTURAL ELEMENTS NOT SHOWN ON THIS DRAWING.
- TR-Design Group, LLC IS NOT RESPONSIBLE FOR THE DESIGN OF ANY STRUCTURAL ELEMENTS NOT SHOWN ON THIS DRAWING.
- TR-Design Group, LLC IS NOT RESPONSIBLE FOR THE DESIGN OF ANY STRUCTURAL ELEMENTS NOT SHOWN ON THIS DRAWING.
- TR-Design Group, LLC IS NOT RESPONSIBLE FOR THE DESIGN OF ANY STRUCTURAL ELEMENTS NOT SHOWN ON THIS DRAWING.
- TR-Design Group, LLC IS NOT RESPONSIBLE FOR THE DESIGN OF ANY STRUCTURAL ELEMENTS NOT SHOWN ON THIS DRAWING.
- TR-Design Group, LLC IS NOT RESPONSIBLE FOR THE DESIGN OF ANY STRUCTURAL ELEMENTS NOT SHOWN ON THIS DRAWING.
- TR-Design Group, LLC IS NOT RESPONSIBLE FOR THE DESIGN OF ANY STRUCTURAL ELEMENTS NOT SHOWN ON THIS DRAWING.
- TR-Design Group, LLC IS NOT RESPONSIBLE FOR THE DESIGN OF ANY STRUCTURAL ELEMENTS NOT SHOWN ON THIS DRAWING.
- TR-Design Group, LLC IS NOT RESPONSIBLE FOR THE DESIGN OF ANY STRUCTURAL ELEMENTS NOT SHOWN ON THIS DRAWING.
- TR-Design Group, LLC IS NOT RESPONSIBLE FOR THE DESIGN OF ANY STRUCTURAL ELEMENTS NOT SHOWN ON THIS DRAWING.
- TR-Design Group, LLC IS NOT RESPONSIBLE FOR THE DESIGN OF ANY STRUCTURAL ELEMENTS NOT SHOWN ON THIS DRAWING.
- TR-Design Group, LLC IS NOT RESPONSIBLE FOR THE DESIGN OF ANY STRUCTURAL ELEMENTS NOT SHOWN ON THIS DRAWING.
- TR-Design Group, LLC IS NOT RESPONSIBLE FOR THE DESIGN OF ANY STRUCTURAL ELEMENTS NOT SHOWN ON THIS DRAWING.
- TR-Design Group, LLC IS NOT RESPONSIBLE FOR THE DESIGN OF ANY STRUCTURAL ELEMENTS NOT SHOWN ON THIS DRAWING.



**LEGEND:**

- POINT LOAD
- LOAD BEARING WALLS
- POINT LOAD FROM ABOVE
- LOAD BEARING WALLS FROM ABOVE

**Main Street HOMES**

**TR DESIGN GROUP**

6001 Adams Road, Suite 202  
Bloomfield Hills, MI 48304  
248-792-3380 • Fax  
www.TR-DesignGroup.com

MANSTREET HOMES  
PRESERVE  
LOT #6

Review Set: 11-09-12  
Permit: 11-19-12  
Final Set: 12-07-12  
Revisions: 4-15-13  
SCREENED PORCH 4-16-13  
KITCHEN SKYLIGHT 5-07-13

Drawn: T.J.  
Checked: M.D.G.  
Job No.: 12312

Sheet No.: **3 OF 6**

RESIDENTIAL DESIGN GROUP





